



EUROMEC

Via Cavalier A. Bellicini, n. 36/A
Berzo Inferiore (BS) Italy

Tel: +39 0364 300 687 – Fax: +39 0364 300 937

euromectech@euromectech.it

www.euromectech.it

Grinding of cement, coal raw material, calcium carbonate and minerals in general.

Revamping grinding, drying and transport plants, reinstallations and start-up , supply of spare parts and components for such systems, numerous used machines.

Machines for cement industry such as bucket belt conveyors, two and three ways double cone buffer valves belt conveyor, conveyor – belt balance, screw conveyor, drag – chain conveyor.

A turn key choice

**CEMENT, FIBERCEMENT, COAL
AND MINERALS IN GENERAL
PLANTS AND ACCESSORIES**

By **Ari8 Impianti s.r.l.** Technological Agreement

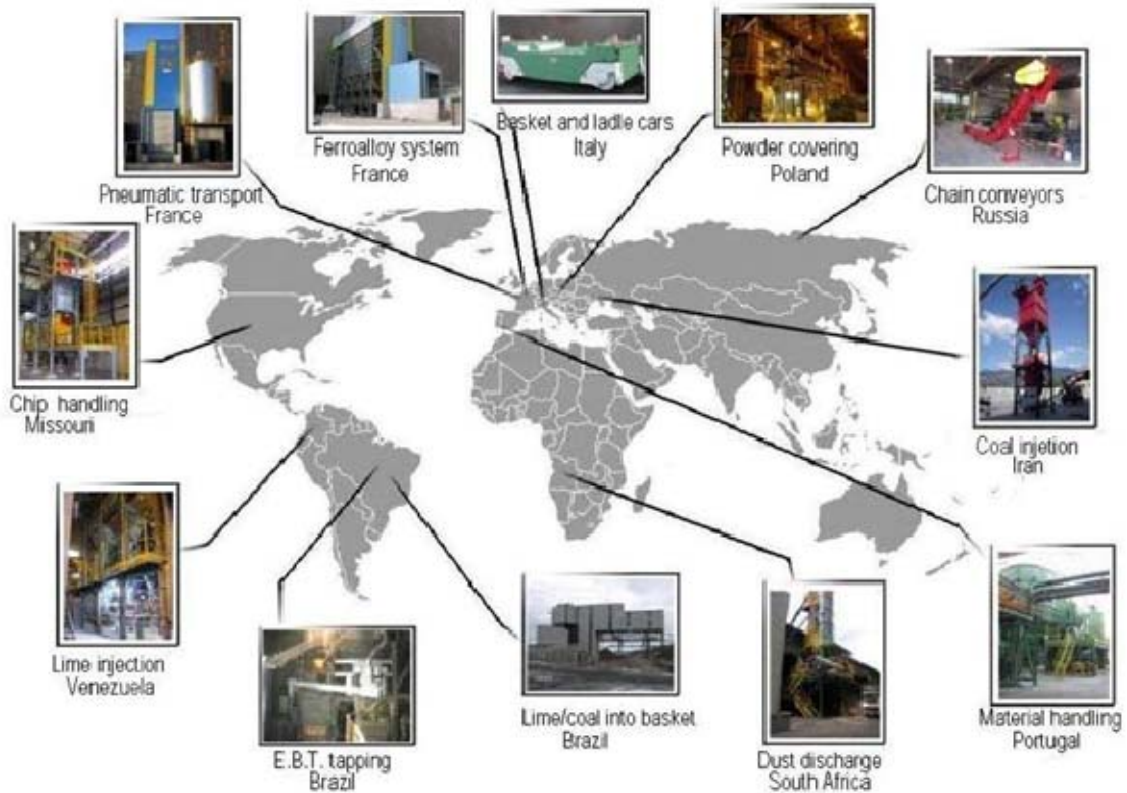
DESIGN

CONSTRUCTION

SUPPLY

ERECTION AND START UP

CEMENT, COAL AND MINERALS IN GENERAL PLANTS



EUROMEC S.r.l.

Legal office:

Via de O, 19; - 24020 Dezzo (BG) Italy

Administrative and operative site:

Via Cav. A. Bellicini, 36/a; 25040 Berzo Inferiore (BS) Italy

Tel. +39 0364300687; Fax +39 0364300937

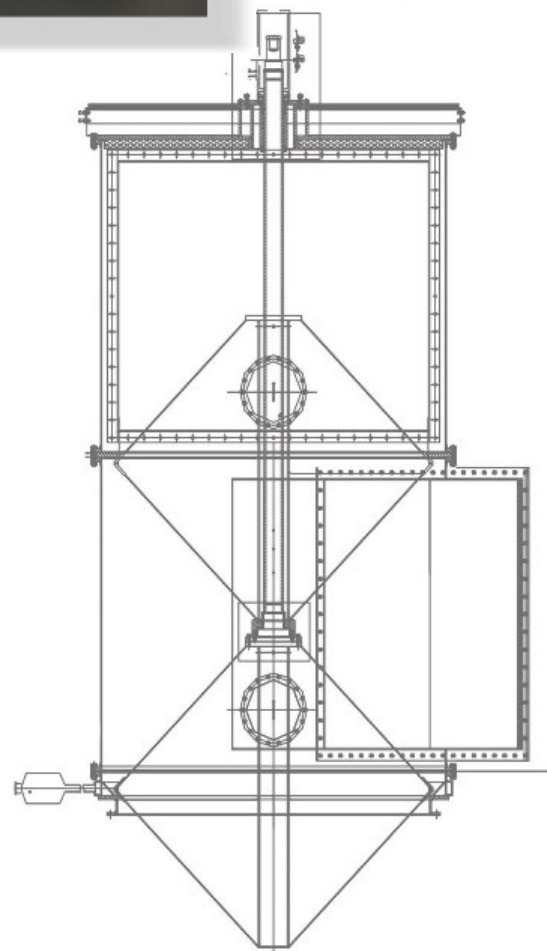
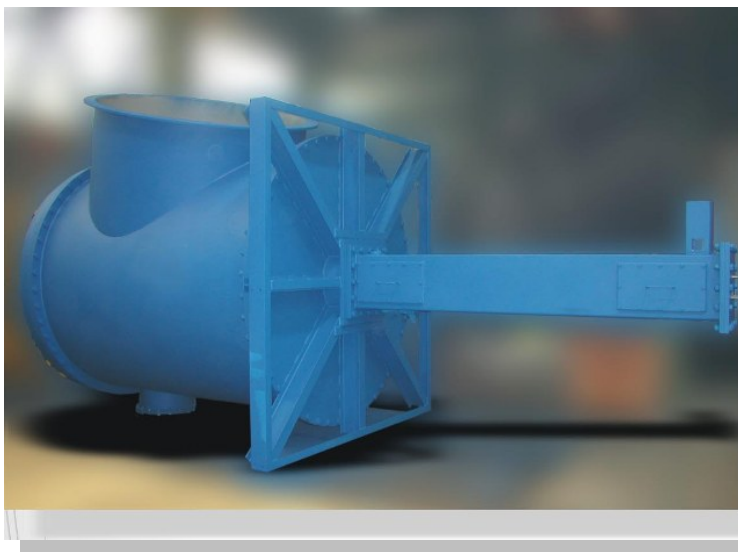
VAT: 02452580166 –. Share capital: € 80.000,00.

2 AND 3 WAYS DOUBLE CONE BUFFER VALVES



Machinery designed to allow diversion and regulation of hot gas flow through mains converging into the valve itself

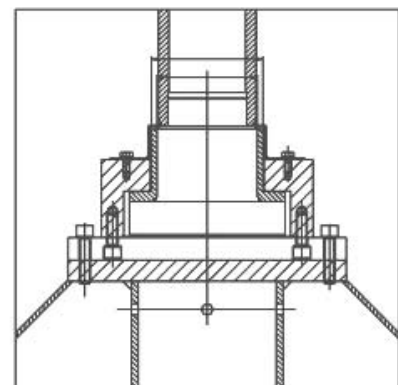
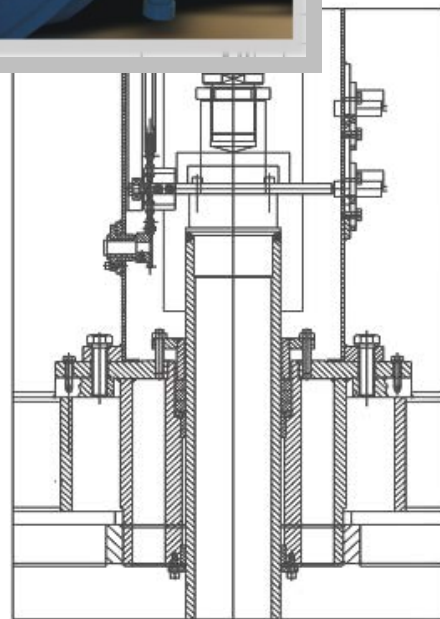
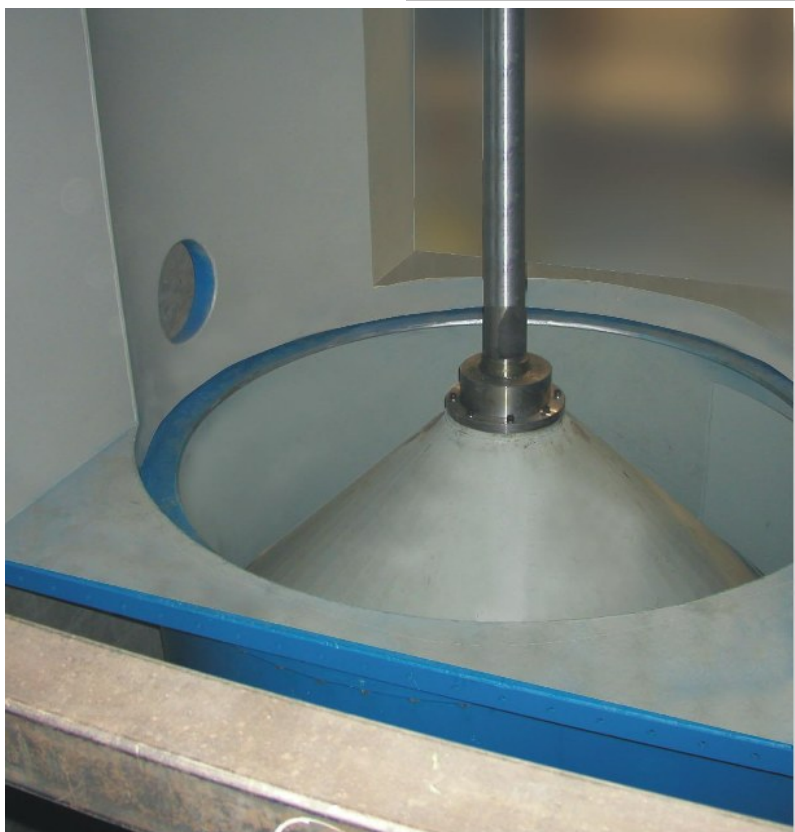
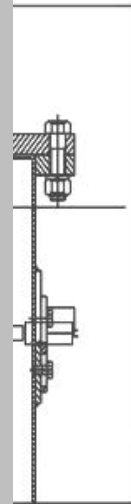
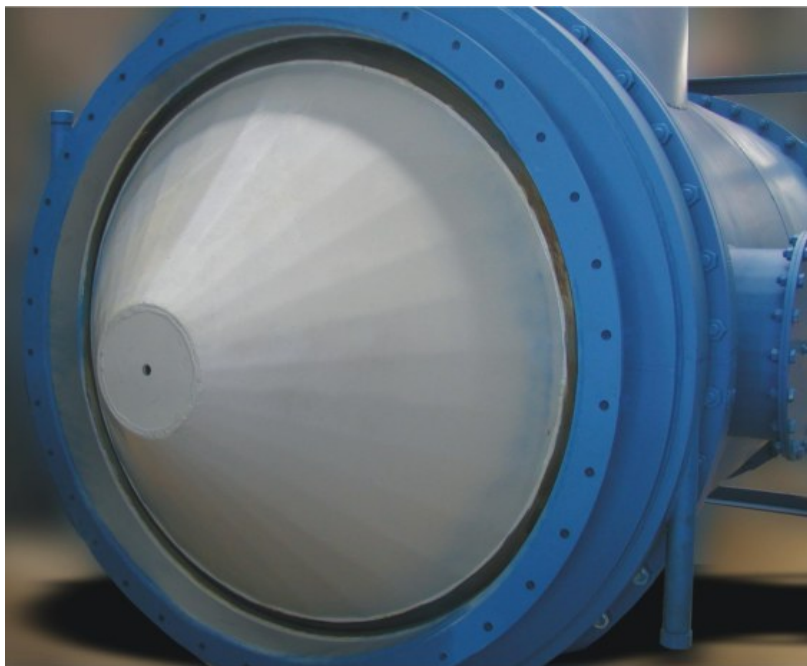
Max opening: DN4000



By **Ari8 Impianti s.r.l.** Technological Agreement

2 AND 3 WAYS DOUBLE CONE BUFFER VALVES

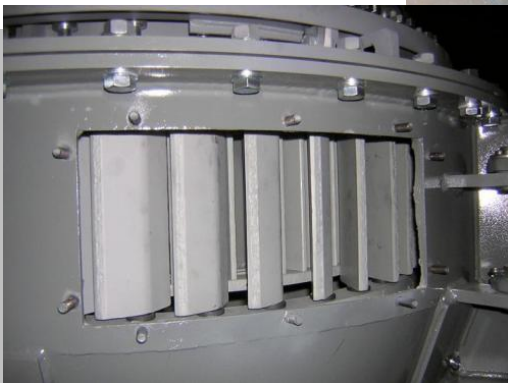
Movimentation done through hydraulic cylinder with encoder position continuously control



SEPARATORS FOR GRINDING PLANTS

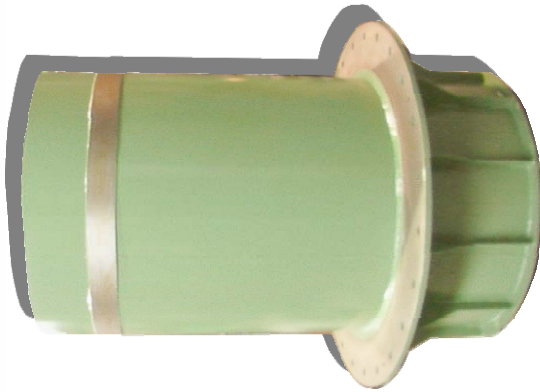


Separators of 3rd generation type TSV® built and projected on license of FCB Cement, for coal, cement, raw and minerals, with 100% feeding with separation air and/or with mix feeding.

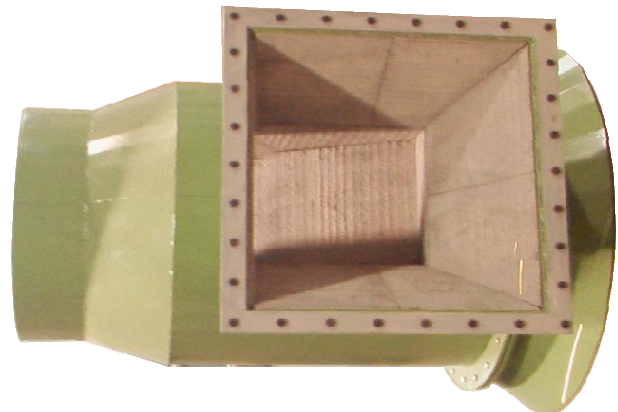


By **Ari8 Impianti s.r.l.** Technological Agreement

MILL INLET



Including screw feeder and feed ramp, specially designed to improve ventilation of cement and raw mills, entirely plated in wear resistant steel. Each is individually designed for the customer's specific mill and system.



Lifters for raw mill drying chambers, with high heat exchange yield, constructed entirely of laminated wear resistant steel.

FLUIDIZED AIR SLIDE AND LAYER REGULATOR



Guillotine valve with 100% seal, deviation system, gate valves, Y and lateral deflectors, lump breakers and many more.

Special construction for high temperature (this model work @ 1000 °C)



By **Ari8 Impianti s.r.l.** Technological Agreement

VARIOUS



**Cement
Charging
System
for truck
and train**

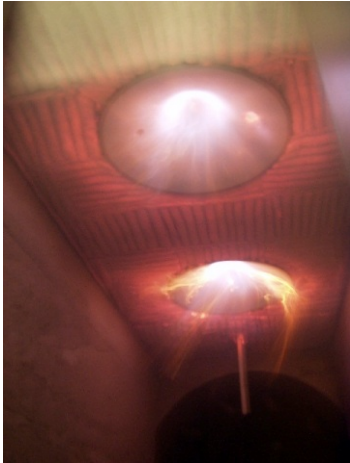


**Automatic
system for
sample
collections
And mill's
accessories**



By **Ari8 Impianti s.r.l.** Technological Agreement

VARIOUS



Rotary Drying kiln plant and accessories, with flat flame for any type of materials



Kiln's burner



In recent years we have developed an impressive experience in revamping grinding, drying and transport plants.

We offer services at all levels, from the inspection, engineering, disassembling and reassembling of projects to all the necessary elements for reinstalls and start-ups.

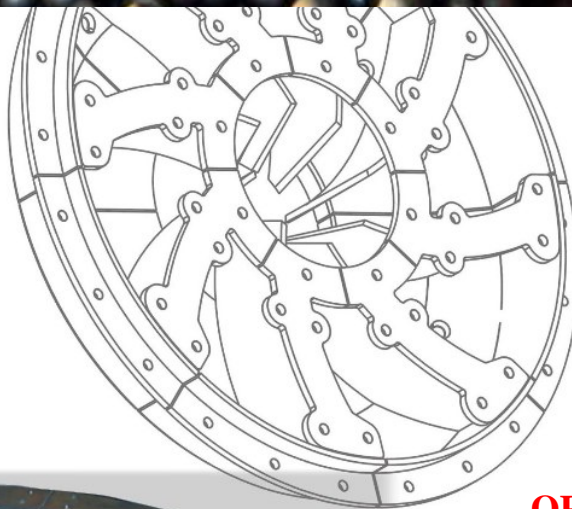
Thanks to our extensive connection with manufacturers and clientele, we have access to numerous used machines and complete plants.

By **Ari8 Impianti s.r.l.** Technological Agreement

DIAPHRAGMS WITH RADIAL AND HELICOIDAL BLADES FOR GRINDING BALLS MILL (CEMENT / RAW MILLS)



Our company have all the knowledge gained in many years of experience in the cement industry, with special attention to grinding and separation division

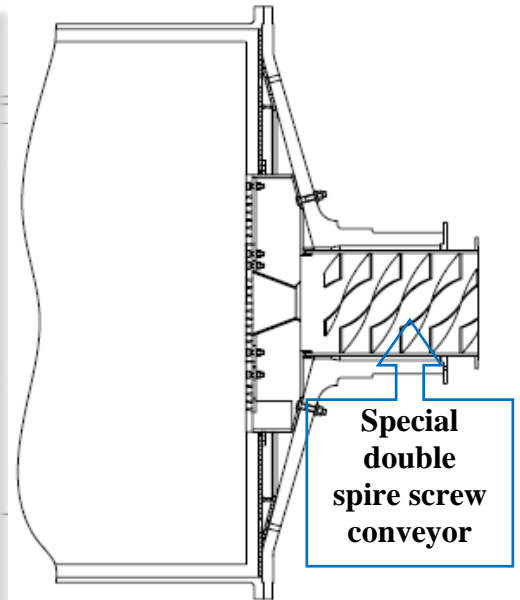


**OPERATING
COSTS
REDUCTION**

**CONSUMPTIONS
AND
PRODUCTION
TIMES
REDUCTION**

By **Ari8 Impianti s.r.l.** Technological Agreement

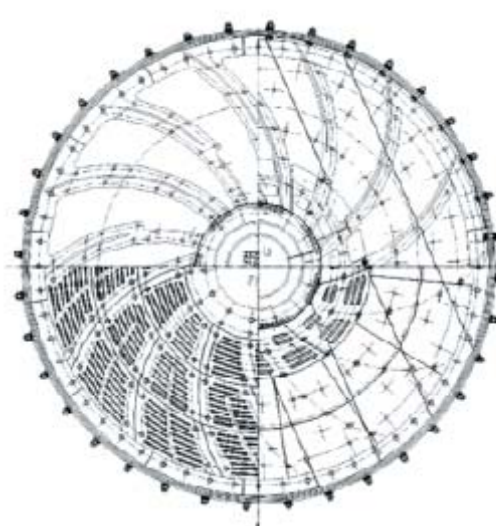
DIAPHRAGMS WITH RADIAL AND HELICOIDAL BLADES FOR GRINDING BALLS MILL (CEMENT / RAW MILLS)



EUROMECC means advanced technology, valuable, continuously updated experience and a reliable source of expert advice. The diverse range of diaphragm plates and frames for tube mills offers the right solution, whatever the problem.

The design and construction characteristics allow easy adaptation to mills of any design and size and whether grinding wet or dry, an improvement in performance is assured.

The choice of the most suitable design of diaphragm depends on many factors such as the material being ground (clinker, raw meal, coal etc.), the position of the diaphragm (intermediate or discharge), the type of circuit (open or closed) etc. Whatever the case, you can rely on **EUROMECC** for a first class technical service and the most cost-effective installation with a minimum of downtime.



By **Ari8 Impianti s.r.l.** Technological Agreement

DIAPHRAGMS PLATES: LONG-LASTING QUALITY

EUROMECC means quality. The company made a special point of using materials of high material strength and wear resistance and to ensure this, both the slotted and the blind plates are made from a special, cross-rolled steel.

The optimum geometry of the slot selection is illustrated. The minimum slot width is 4 mm.

The 90 degree flared groove can be continuous around the diaphragm to provide a guide for the grinding balls. In addition this continuous groove, together with the flaring of the slot provide for complete self-cleaning. The parallel section of the slot ensures maximum effective plate life.

A special feature of the slotted plates is that they are machined using a chip-forming technique This method, unlike flame-cutting, ensures that the metallurgical structure of the steel is not modified and thus the desired strength and wear resistance are maintained.

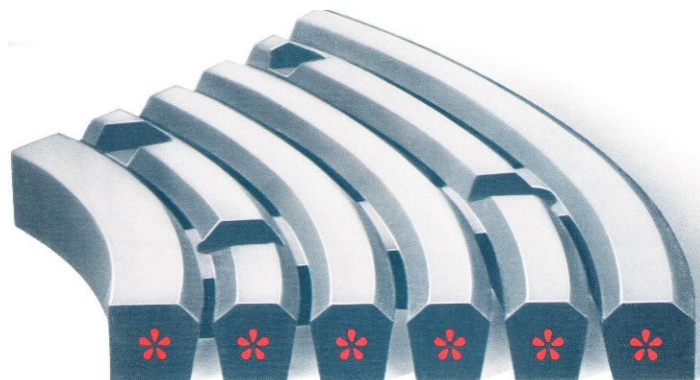
The entire machining process, including the drilling of the fixing holes, is computer-controlled guaranteeing absolute precision with consequent advantages when fitting the plates to the frame.

Both slotted and blind plates are secured to the frame by means of special 60-degree countersunk bolts with constant torque shear heads so that a pre-determined and even tightening of the plate onto the frame is achieved.

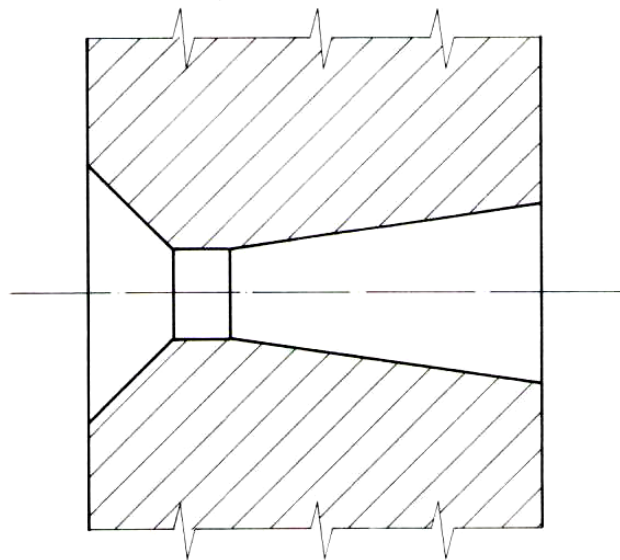
Hardness of the plates normally reaches the values indicated in the figure shown here, It will be noticed that the hardness in the centre of the section is somewhat lower than at the surface region. This helps to ensure a tougher steel, safeguarding against the danger of brittle fracture.

Before delivery, the pieces are subjected to close inspection. Checks are made to ensure that any deformation does not exceed the permitted tolerances and that the surface hardness reaches the values indicated in the diagram.

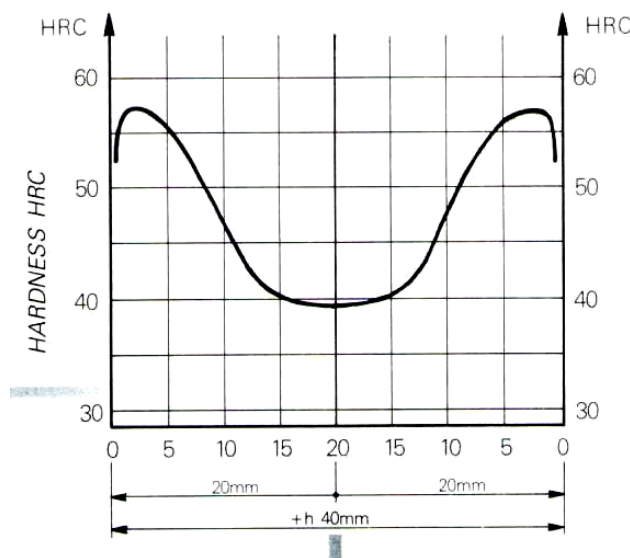
A declaration of quality and a long-lasting guarantee are considered basic point by the EUROMECC company.



THIS UNIQUE SLOT PROFILE ENSURES EXCELLENT MILL PERFORMANCE.



ACCURATELY CONTROLLED HEAT TREATMENT, GUARANTEEING HARDNESS AND TOUGHNESS.



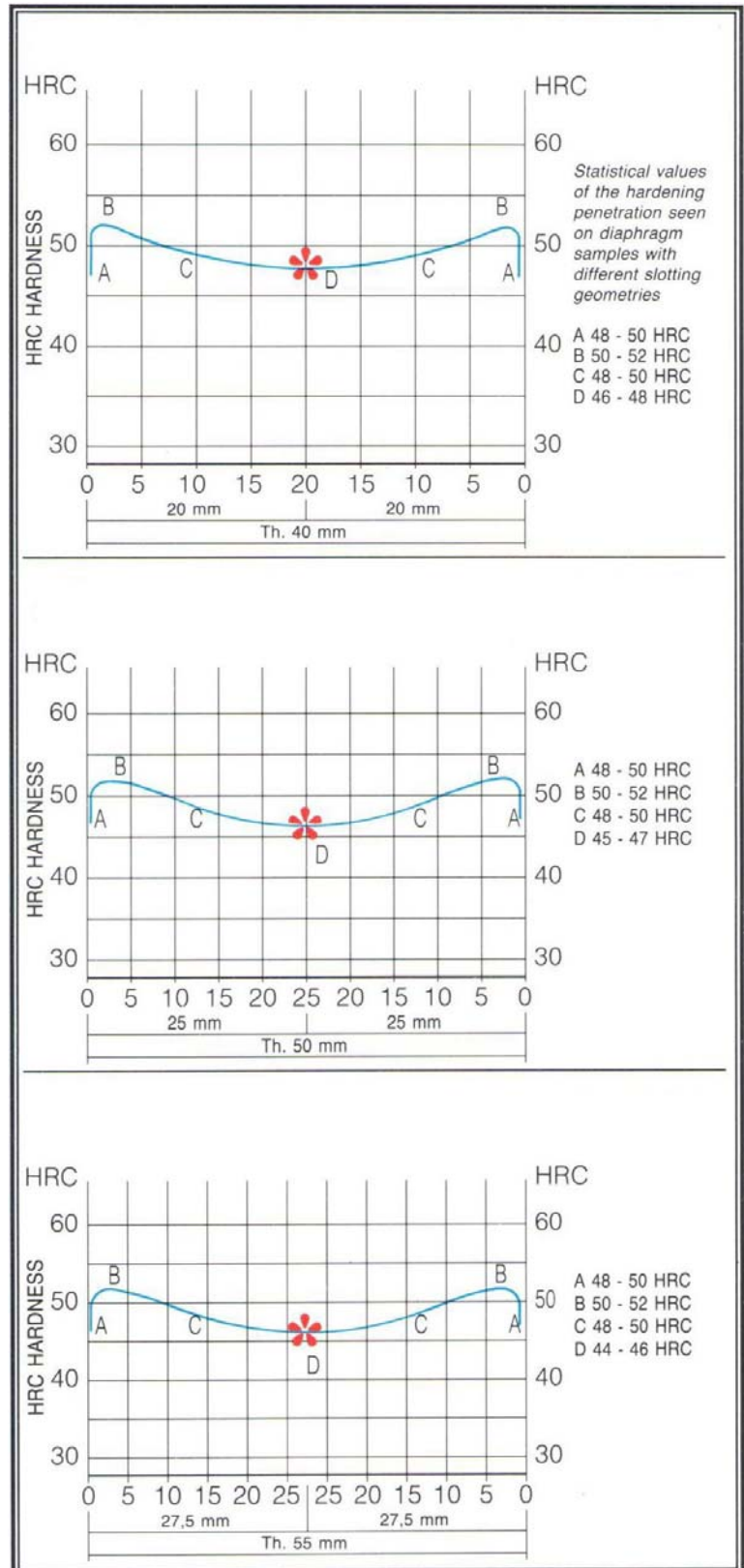
DIAGRAMS SHOWING THE HARDENING PENETRATION OF THE NEW SLOTTED PLATES MADE FROM LK10 THE HIGH-HARDENABILITY LAMINATED STEEL.

With the machining of the plates using a chip removal system together with the use of the new LK10 alloy, the chemical and physical features of the steel remain unaltered thus permitting outstanding hardening and tempering heat treatment, certain guarantee of increased strength and importantly, evenly distributed wear.

On average, the hardening of the new LK10 slotted plates attains the values shown in the hardenability diagrams for the three thicknesses available, which can be seen in the next column.

From these it can be seen that, in the central areas of the section, there is a slightly lower degree of hardness than at the surface: this is intentional to obtain greater toughness from the steel as protection therefore from any kind of brittleness-related breakage.

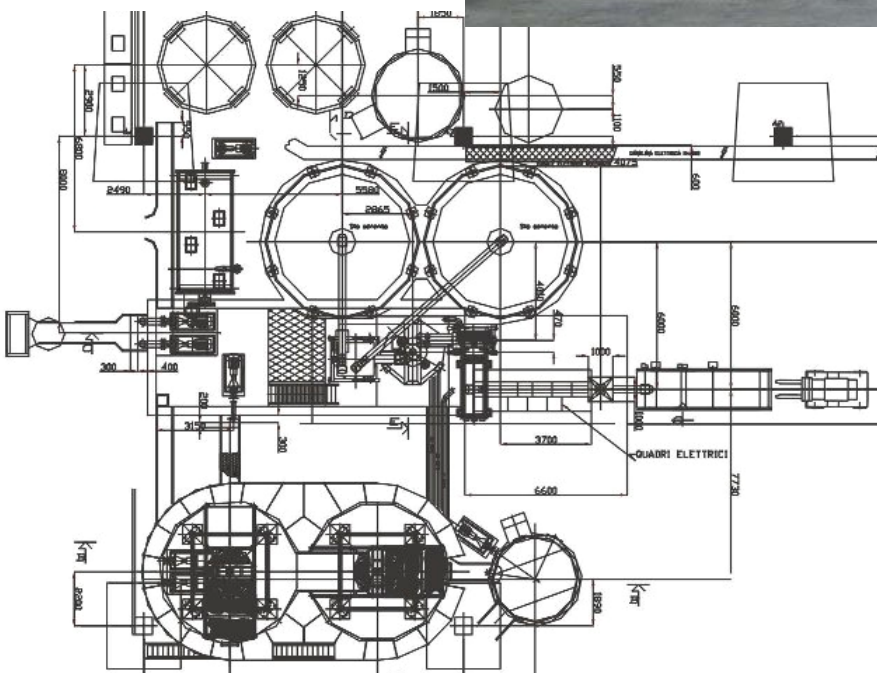
Finally, before shipment the plates are subjected to a rigorous inspection which includes two special checks: ensuring any deformations do not exceed the tolerance values permitted and that surface hardness equals the values indicated in the diagram; a certification of the quality of the product and guarantee of its durability.



FIBERCEMENT MIXTURE PREPARATION SYSTEMS

Material handling
batching and
mixing systems
for:

Fibercement
sheet production
plant



By **Ari8 Impianti s.r.l.** Technological Agreement

FIBERCEMENT MIXTURE PREPARATION SYSTEMS

It is composed by:

Two cement powder storage silo

Two water regeneration tanks

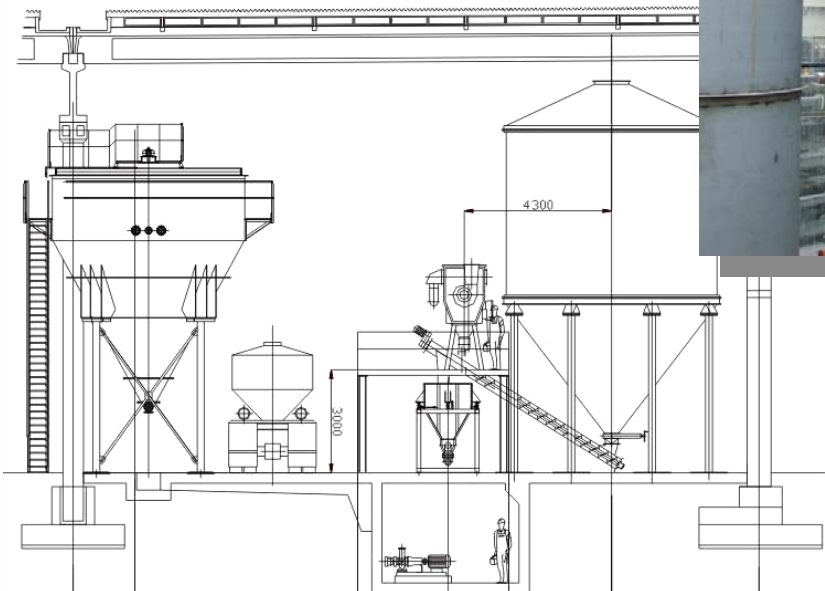
One fibre storage silo

One PVA batching hopper

One mixture stirrer

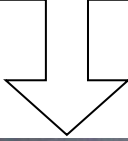
One vertical mixer

One cellulose tank



by **Arto Impianti S.p.A.** Technological Agreement

Special antiwear impeller for
for microsilica turbomixer



Automatic
bag opener



PVA bales
opener



Vertical mixer



PVA Scale



PVA
batching hopper



Shredder



Euromec S.r.l. can supply this type of plants in strictly collaboration with Ari8 S.r.l. Ari8 has acquired from Bazzi Impianti S.r.l. (society no more present on market since 2002) all the technology regarding the asbestos cement plant, field in which Bazzi Impianti was world leader with hundreds of plants supplied all over the world, and that has developed and applied the new production technology for asbestos cement plants WITHOUT THE use of asbestos, exactly since 1985.



Euromec and Ari8 has dedicated many resources to planning, construction, assembling and optimisation of plants for the preparation of feed stocks and for study and modify of sheet machines with their accessorizes, in order to optimize the utilization with new production technology WITHOUT ASBESTOS



We have realized plants in Italy, Portugal, Romany, Zimbabwe, Indonesia, Brazil and others country in Africa.

By **Ari8 Impianti s.r.l.** Technological Agreement